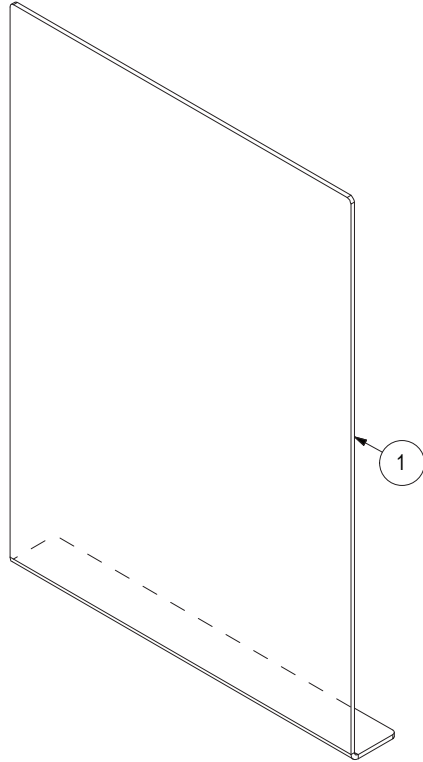




# Assembly Instruction

## 887 FLSL - "L" shield



### Installation steps:

1- Place the shield on a counter

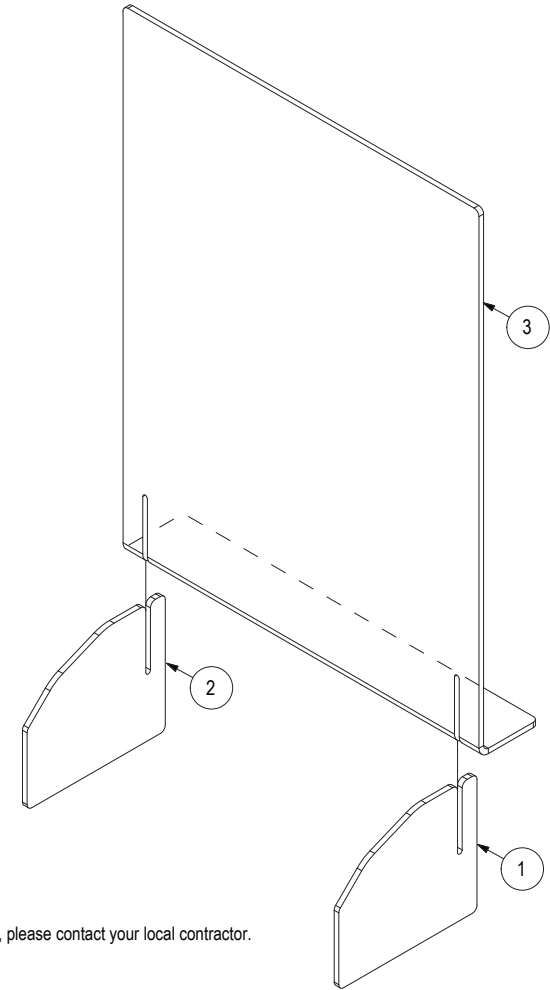
\* EXM is not responsible for the installation.

If you are not comfortable installing a counter shield yourself, please contact your local contractor.

Please note that EXM do not accept returns.

Before ordering, make sure your counter shield is suitable for your application.

PART LIST			
ITEM	QTY	PART NUMBER	DESCRIPTION
1	1	887FLSLF-P	Shield Part



### Installation steps:

1- Insert panel #1 & #2 into the panel #3

2- Place the shield on a counter

\* EXM is not responsible for the installation.

If you are not comfortable installing a counter shield yourself, please contact your local contractor.

Please note that EXM do not accept returns.

Before ordering, make sure your counter shield is suitable for your application.

PART LIST			
ITEM	QTY	PART NUMBER	DESCRIPTION
1	1	887FLSL_R	Stabilizer Part
2	1	887FLSL_L	Stabilizer Part
3	1	887FLSL_F	Shield Part