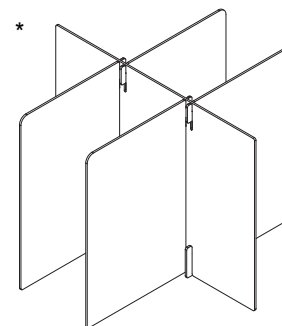
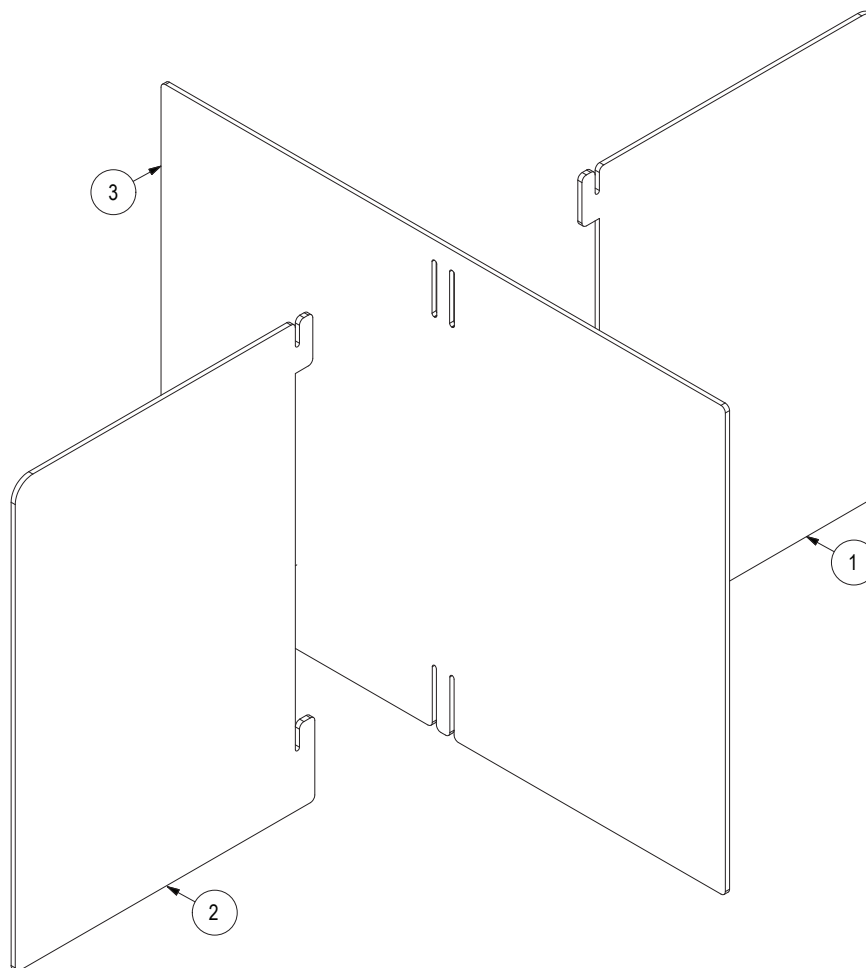




Assembly Instruction

887 FLST - Table separator shield



Installation steps:

- 1- Insert panel #1 & #2 into the panel #3
 - 2- Place the shield on a table
- * Note you can add separators (see image below) according to your needs

* EXM is not responsible for the installation.
If you are not comfortable installing a counter shield yourself, please contact your local contractor.

Please note that EXM do not accept returns.
Before ordering, make sure your counter shield is suitable for your application.

PART LIST

ITEM	QTY	PART NUMBER	DESCRIPTION
1	1	887FLST_R-P	Stabilizer Part
2	1	887FLST_L-P	Stabilizer Part
3	1	887FLST_F-P	Shield Part