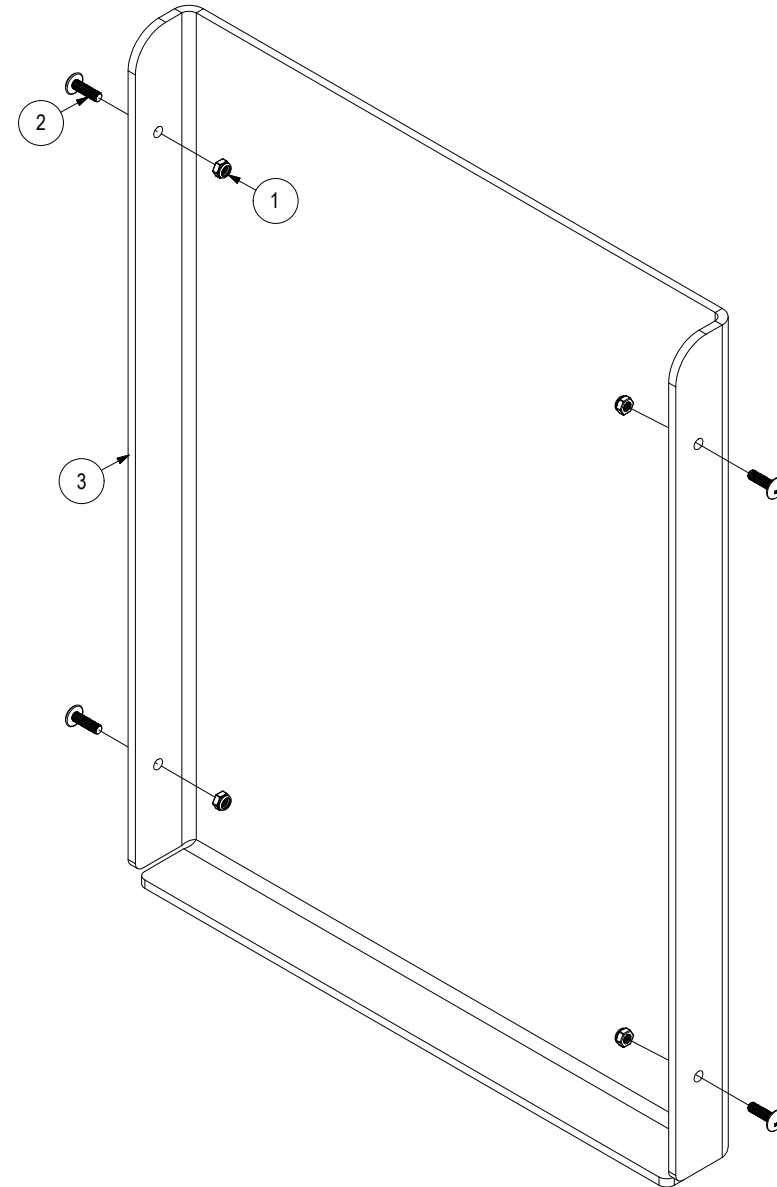




Assembly Instruction

887 FLSM - Modular shield



Installation steps:

1- Attach the screws and nuts to surface

2- Place the shield on a counter

* Note that you can use them with the modular corner shield (887 FLSC)

* EXM is not responsible for the installation.

If you are not comfortable installing a counter shield yourself, please contact your local contractor.

Please note that EXM do not accept returns.

Before ordering, make sure your counter shield is suitable for your application.

PART LIST

ITEM	QTY	PART NUMBER	DESCRIPTION
1	4	STK-Q-07220	M6 Nylon Insert Lock Nut
2	4	STK-Q-04107	M6 x 20mm Truss Head Machine Screw
3	1	887FLSM_F-P	Shield Part