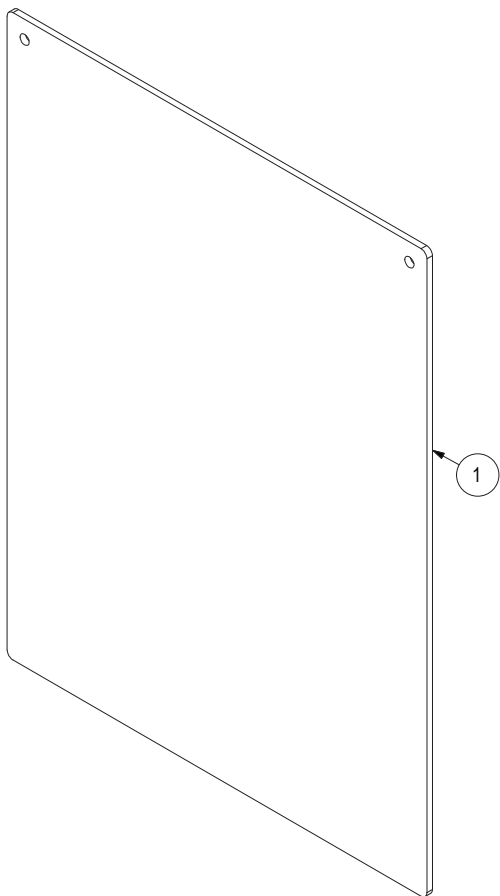




Assembly Instruction

887 FLSF - Flat shield



Installation steps:

1- Suspend or screw

* Note that the suspension kit is not included

* EXM is not responsible for the installation.

If you are not comfortable installing a counter shield yourself, please contact your local contractor.

Please note that EXM do not accept returns.

Before ordering, make sure your counter shield is suitable for your application.

PART LIST			
ITEM	QTY	PART NUMBER	DESCRIPTION
1	1	887FLSFF-P	Shield Part

Installation steps:

1- Insert panel #1 & #2 into the panel #3

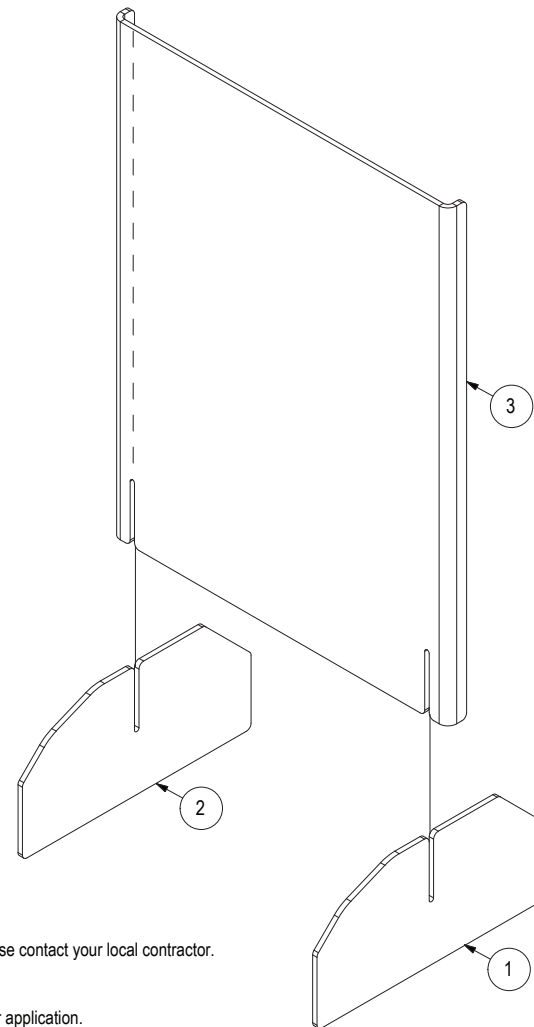
2- Place the shield on a counter

* EXM is not responsible for the installation.

If you are not comfortable installing a counter shield yourself, please contact your local contractor.

Please note that EXM do not accept returns.

Before ordering, make sure your counter shield is suitable for your application.



PART LIST			
ITEM	QTY	PART NUMBER	DESCRIPTION
1	1	887FLSFR-P	Stabilizer Part
2	1	887FLSFL-P	Stabilizer Part
3	1	887FLSFF-P	Shield Part