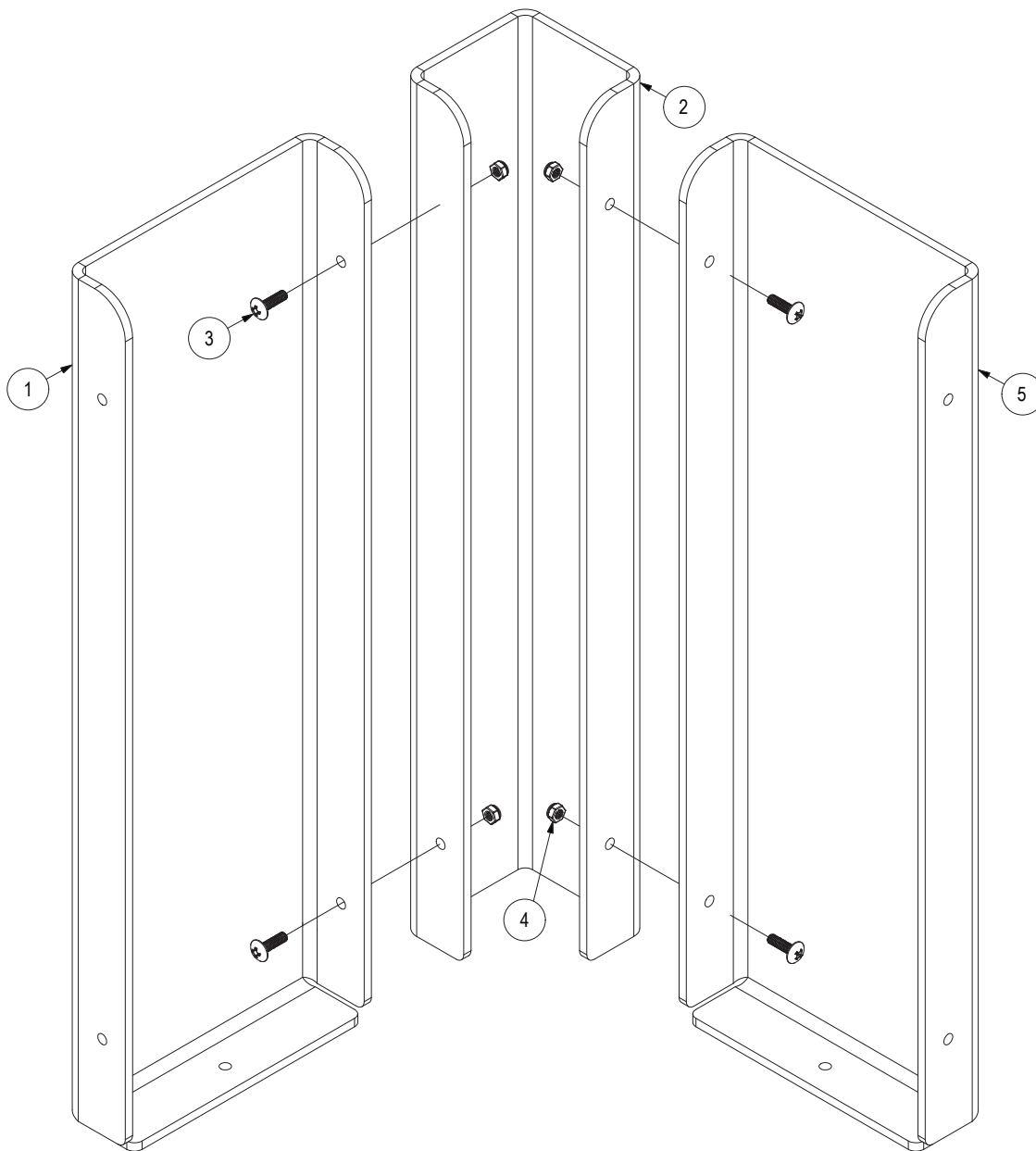




# Assembly Instruction

## 887 FLSC - Modular corner shield



### Installation steps:

- 1- Assemble the screws and nuts (item #3 & #4) on the post part
- 2- Place the shield on a counter

\* EXM is not responsible for the installation.  
If you are not comfortable installing a counter shield yourself, please contact your local contractor.

Please note that EXM do not accept returns.  
Before ordering, make sure your counter shield is suitable for your application.

#### PART LIST

ITEM	QTY	PART NUMBER	DESCRIPTION
1	1	887FLSC_R-P	Shield Part
2	1	887FLSC_POST-P	Post Part
3	4	STK-Q-07220	M6 Nylon Insert Lock Nut
4	4	STK-Q-04107	M6 x 20mm Truss Head Machine Screw
5	1	887FLSC_F-P	Shield Part