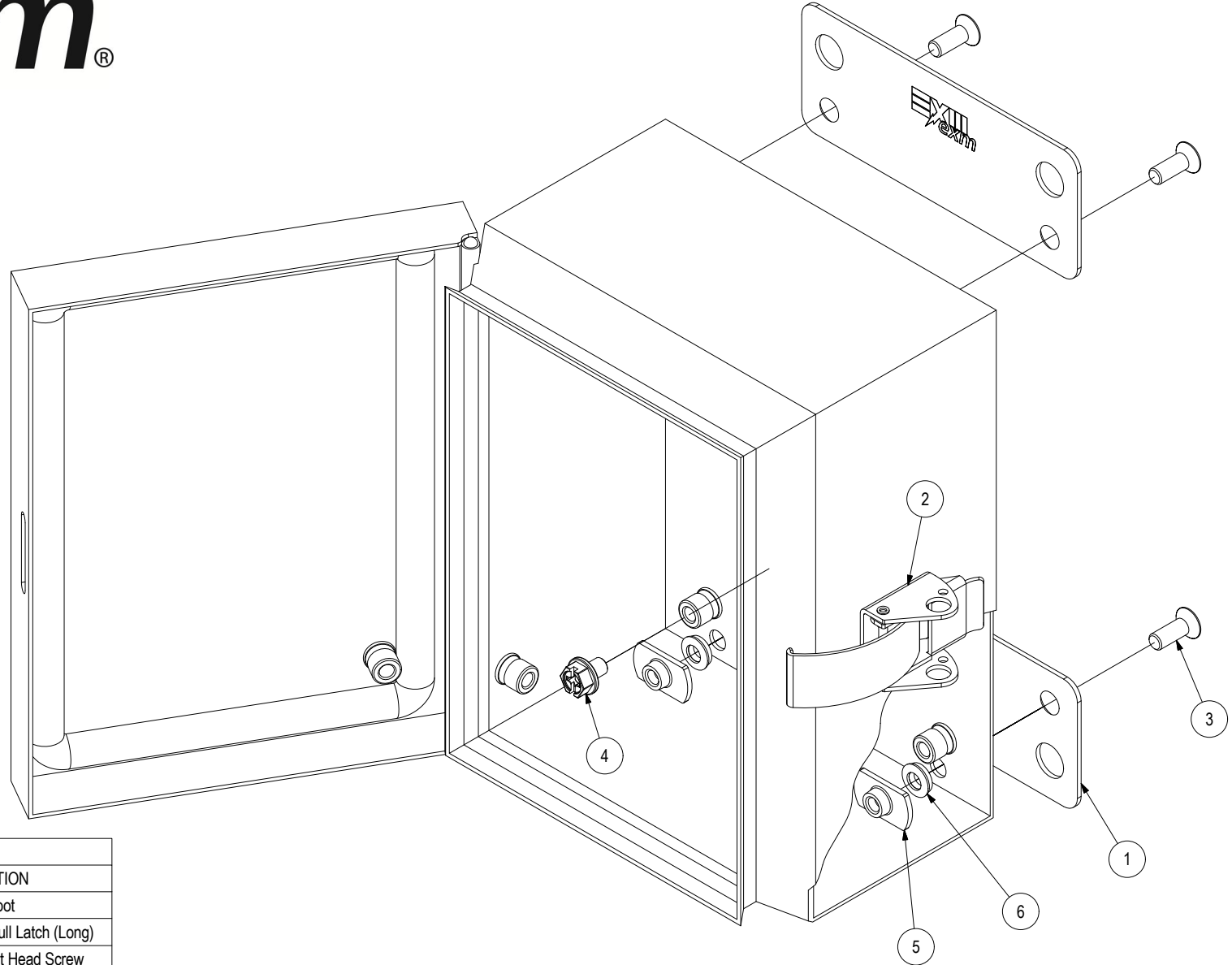




Assembly Instruction

5300 ESCH

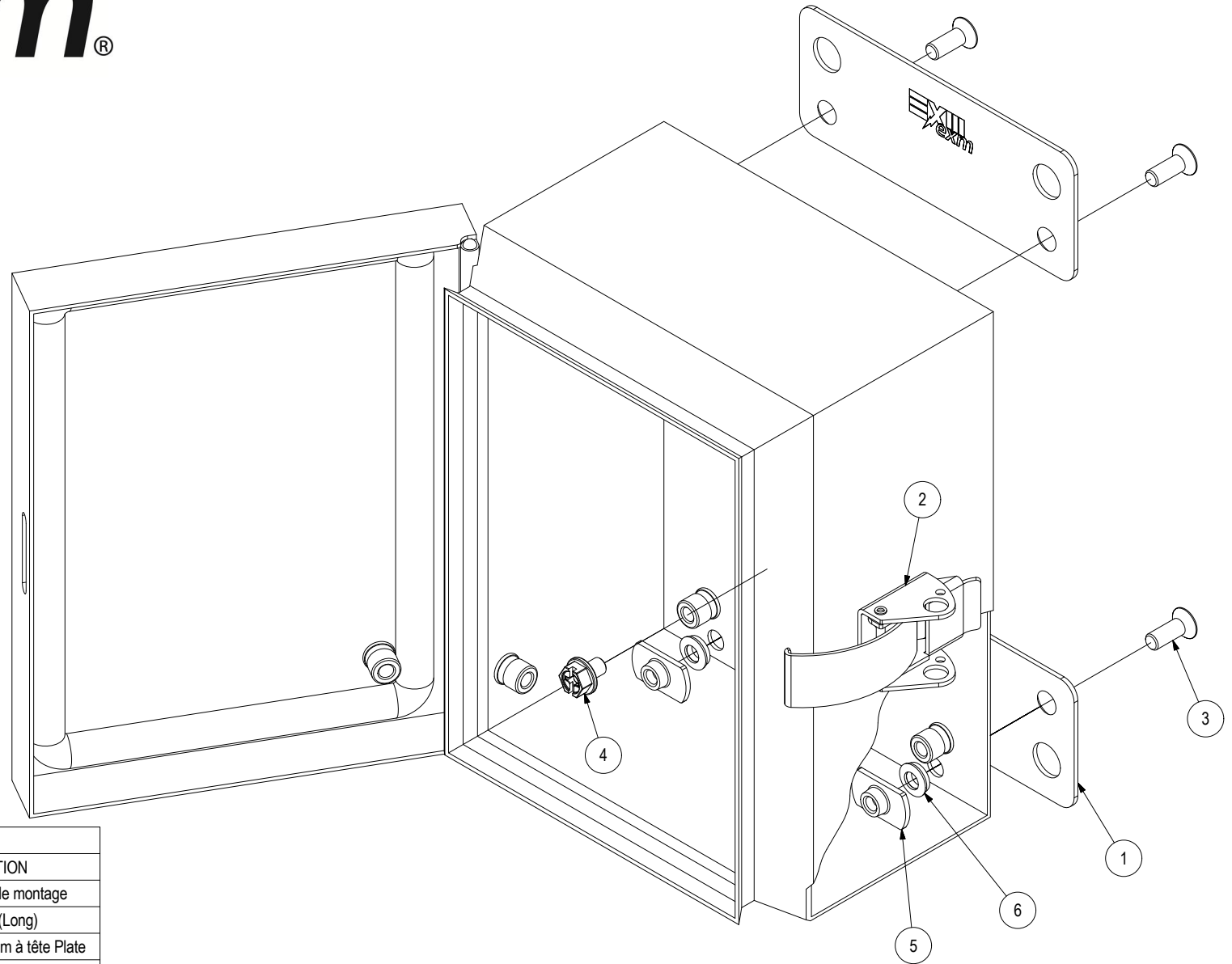


PART LIST

ITEM	QTY	PART NUMBER	DESCRIPTION
1	2	883ESCHMF-A	883 ESCH Mounting Foot
2	1	STK-K-12000	Stainless Steel Draw Pull Latch (Long)
3	4	STK-Q-03070	M6 x 16mm Phillips Flat Head Screw
4	4	STK-Q-03200	M6 x 8mm Hexagon/Slot Screw
5	4	STK-Q-07260	M6 Stamped Nut
6	4	STK-Q-10251	M6 Sealing Washer
7	1	STK-Q-03002	M5 x 10 Pan Head Screw
8	1	STK-Q-08100	Nylon Insert Lock Nut M5



Instruction D'assemblage 5300 ESCH



PART LIST

ITEM	QTY	PART NUMBER	DESCRIPTION
1	2	883ESCHMF-A	883 ESCHMF Pieds de montage
2	1	STK-K-12000	SS Locket a Bascule (Long)
3	4	STK-Q-03070	Vis Phillips M6 X 16mm à tête Plate
4	4	STK-Q-03200	Vis à bride hexagonale M6 x 8mm
5	4	STK-Q-07260	Écrou M6
6	4	STK-Q-10251	Rondelle d'Étanchéité M6
7	2	STK-Q-03002	Vis M5 x 10 à Tête Pan
8	2	STK-Q-08100	Écrou à Garniture en Nylon M5